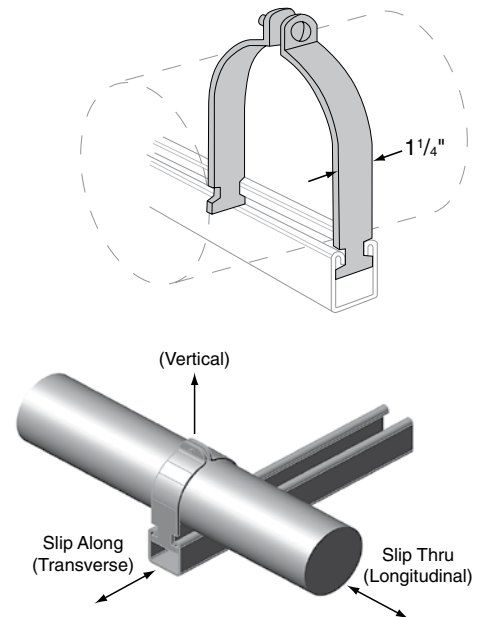


# Strut Clamp - Pipe & Conduit

### Product Features

- Size: Steel pipe sizes 1/2" through 10"
- Material: Carbon steel
- Finish: Electro-Galvanized
- Pipe clamps are designed to fit into the opening of 1 5/8" wide channel profiles
- Pre-Assembled Clamps
- 3-Way Clamp Loadings - vertical, transverse for slip along and longitudinal to resistance slip thru pipe loads.
- The 3-Way Loadings allows the clamp to secure pipe in place:
  - Channel supporting the pipe from below
  - Clamp suspending the pipe from the channel above
  - Clamps supporting horizontal pipe from wall mounted channel



### Strut Clamp - Pipe & Conduit: Loads (LBS) • Weights (LBS) • Dimensions (IN)

Size	✓ To Submit	Part No.	O.D. Size	Design Loads (Safety Factor 3.0)			Std. Pkg.	Weight per 100 pcs
				Pullout	Slip Along	Slip Thru		
1/2"		PV37319	0.840	907	77	213	100	11
3/4"		PV37320	1.050	992	169	142	100	15
1		PV37321	1.315	806	174	131	100	17
1 1/4"		PV37322	1.660	1,160	150	354	100	19
1 1/2"		PV37323	1.900	1,564	336	335	50	29
2"		PV37324	2.375	1,572	506	405	50	34
2 1/2"		PV37325	2.875	1,610	548	287	50	40
3		PV37326	3.500	1,317	452	496	50	47
4"		PV37327	4.500	1,505	576	518	25	67
5"		PV37328	5.563	1,313	567	411	25	80
6"		PV37329	6.625	1,531	563	406	25	102
8"		PV37330	8.625	2,018	664	580	25	130
10"		PV37331	10.750	1,000	-	-	25	143

### Warranty

One Year Limited Warranty.

See warranty information for more details.

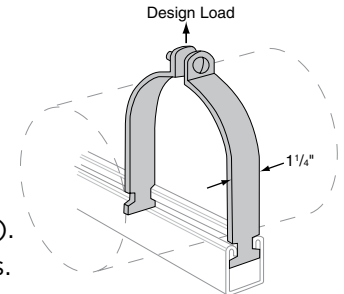
MADE IN CHINA

All dimensions listed are nominal. HD Supply<sup>sm</sup> reserves the right to change or modify products without prior notification and is not responsible for the use of superseded or voided specification sheets.

# Strut Clamp - Tube

### Product Features

- Size: CU Tube: 1/2" through 6", electro-galvanized  
CU Tube: 1/2" through 4", copper plated  
Steel Tube: 2 1/4" thru 8 1/4"
- Material: Carbon steel
- Finish: Electro-Galvanized and Copper Plated option (1/2" thru 4" CU Tube sizes).
- Tubing clamps are designed to fit into the opening of 1 5/8" wide channel profiles.
- Pre-Assembled Clamps
- Clamp can secure the pipe in place:
  - Channel supporting the pipe from below
  - Clamp suspending the pipe from the channel above



### Strut Clamp - Tube: Loads (LBS) • Weights (LBS) • Dimensions (IN)

O.D. Size	✓ To Submit	Part No. Galv.	Part No. Copper Plated	✓ To Submit	Tube Size	Load Rating	Weight per 100 pcs
5/8"		PV37332	PV37349		*1/2	400	10
7/8"		PV37333	PV37350		*3/4	400	12
1 1/8"		PV37334	PV37351		*1	600	15
1 3/8"		PV37335	PV37352		*1 1/4	600	17
1 5/8"		PV37336	PV37353		*1 1/2	600	19
2 1/8"		PV37337	PV37354		*2	800	32
2 3/8"		PV37338	-		2 1/4	800	34
2 5/8"		PV37339	PV37356		*2 1/2	800	37
3 1/8"		PV37340	PV37357		*3	800	43
3 3/8"		PV37341	-		3 1/4	800	46
4 1/8"		PV37342	PV37359		*4	1,000	62
4 3/8"		PV37343	-		4 1/4	1,000	66
5 1/8"		PV37344	-		*5	1,000	76
5 3/8"		PV37345	-		5 1/4	1,000	78
6 1/8"		PV37346	-		*6	1,000	96
6 3/8"		PV37347	-		6 1/4	1,000	99
8 3/8"		PV37348	-		8 1/4	1,000	128

\* 1/2" - 6" Nominal CU Wtr Tube Sizes

### Warranty

One Year Limited Warranty.

See warranty information for more details.

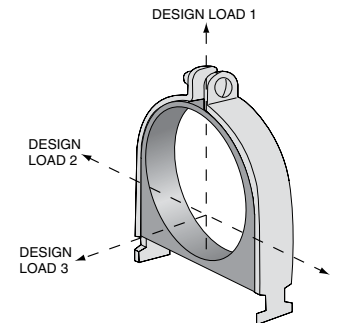
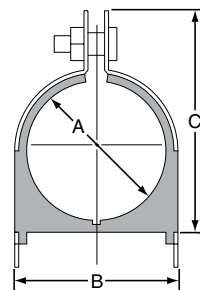
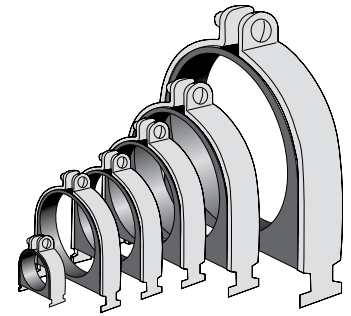
MADE IN CHINA

All dimensions listed are nominal. HD Supply<sup>sm</sup> reserves the right to change or modify products without prior notification and is not responsible for the use of superseded or voided specification sheets.

# Strut Cushion Clamp

### Product Features

- Size: CU Tube: 1/4" through 4"
- Material: Carbon steel clamp, Cushion: dupont Hytel, Locknut with nylon Insert
- Finish: Electro-Galvanized (varies by sizes: furnished in silver or gold)
- Service temperature: -65°F to 275°F
- Cushion clamps are designed to fit into the opening of 1 5/8" wide channel profiles
- Pre-Assembled Clamps
- 3-Way Clamp Loadings - vertical, transverse for slip along and longitudinal to resistance slip thru pipe loads.
- The 3-Way Loadings allows the clamp to secure pipe in place:
  - Channel supporting the pipe from below
  - Clamp suspending the pipe from the channel above
  - Clamps supporting horizontal pipe from wall mounted channel



### Strut Cushion Clamp – Tube Series: Loads (LBS) • Weights (LBS) • Dimensions (IN)

O.D. Size	✓ To Submit	Part No. Galv.	A	B	C	Design Load 1	Design Load 2	Design Load 3	Std. Pkg.	Weight per 100 pcs
3/8"		PV37360	0.37	0.82	1.13	400	50	50	25	11
1/2"		PV37361	0.50	0.94	1.34	400	50	50	25	13
5/8"		PV37362	0.62	1.06	1.54	400	50	50	25	14
7/8"		PV37363	0.87	1.31	1.82	600	75	75	25	15
1 1/8"		PV37364	1.12	1.57	2.08	600	75	75	20	18
1 3/8"		PV37365	1.37	1.82	2.34	600	75	75	20	20
1 5/8"		PV37366	1.62	2.07	2.60	600	75	75	20	35
2 1/8"		PV37367	2.12	2.57	3.23	800	125	125	10	46
2 3/8"		PV37368	2.37	2.82	3.67	800	125	125	10	47
2 5/8"		PV37369	2.62	3.07	3.92	800	125	125	5	51
3 1/8"		PV37370	3.12	3.57	4.42	800	125	125	5	60
4 1/8"		PV37371	4.12	4.57	5.54	1000	200	150	5	94

### Warranty

One Year Limited Warranty.  
See warranty information for more details.



All dimensions listed are nominal. HD Supply<sup>sm</sup> reserves the right to change or modify products without prior notification and is not responsible for the use of superseded or voided specification sheets.

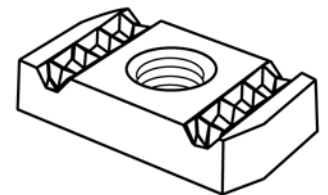
# Strut Nut

### Product Features

- Size Range:  $\frac{3}{8}$ " and  $\frac{1}{2}$ "
- Material: Case hardened mild steel bar
- Finish: Electro-Galvanized
- Specially formed teeth in the parallel channel recesses for gripping the returned lips of the strut channel.
- Positive locking of the channel to the strut fittings are assured by the shearing action of the teeth.

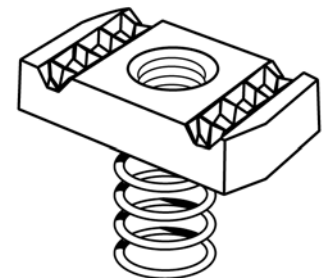
### Strut Nut without Spring: Weights (LBS) • Dimensions (IN)

Size	Thread	Thickness	✓ To Submit	Part No.	Weight per 100 pcs	Channel Size
$\frac{3}{8}$ "	16	$\frac{3}{8}$		PV37374	9	All $1\frac{5}{8}$ " Wide Channel
$\frac{1}{2}$ "	13	$\frac{1}{2}$		PV37375	9	All $1\frac{5}{8}$ " Wide Channel



### Strut Nut - Regular Spring: Weights (LBS) • Dimensions (IN)

Size	Thread	Thickness	✓ To Submit	Part No.	Weight per 100 pcs	Channel Size
$\frac{3}{8}$ "	16	$\frac{3}{8}$		PV37372	10	Channel Depth $1\frac{3}{8}$ " or $1\frac{5}{8}$ "
$\frac{1}{2}$ "	13	$\frac{1}{2}$		PV37373	13	Channel Depth $1\frac{3}{8}$ " or $1\frac{5}{8}$ "



### $\frac{1}{2}$ " Strut Nut: Load Data (LBS) • Torque (FT-LBS)

Resistance to Slip	Pull Out Strength	Torque Value
12 Gauge - 1,400#	12 Gauge - 2,000#	50
14 Gauge - 1,100#	14 Gauge - 1,140#	50
15 Gauge - 1,100#	15 Gauge - 1,100#	50

### Warranty

One Year Limited Warranty. See warranty information for more details.

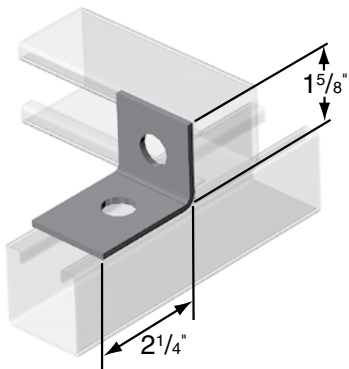
MADE IN CHINA

All dimensions listed are nominal. HD Supply<sub>sm</sub> reserves the right to change or modify products without prior notification and is not responsible for the use of superseded or voided specification sheets.

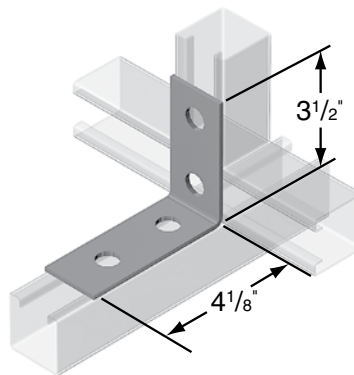
# Corner Angle

### Product Features

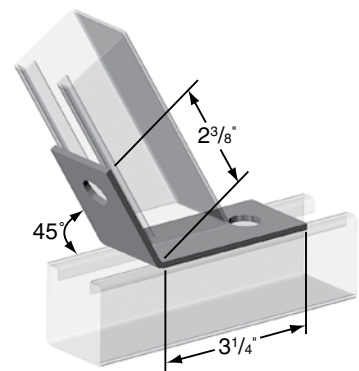
- Type: Two hole, four hole, open angle
- Material: Carbon steel
- Finish: Electro-Galvanized or Green Powdered Coated
- Fittings are designed to fit with all 1<sup>5</sup>/<sub>8</sub>" wide channels
- Fitting thickness - 1/4"
- Hole diameter - 9/16"
- Hole spacing - 1<sup>3</sup>/<sub>16</sub>" from end, 1<sup>7</sup>/<sub>8</sub>" on centers



**Corner Angle - Two Hole**  
Finish: EG, GRN



**Corner Angle - Four Hole**  
Finish: EG



**Open Angle Connector  
Two Hole**  
Finish: EG

### Corner Angle: Weights (LBS)

Description	✓ To Submit	Part No. Galv.	Part No. Green	✓ To Submit	Weight per 100 pcs
Corner Angle - Two Hole		PV37378	PV37379		38
Corner Angle - Four Hole		PV37377	-		78
Open Angle Connector, 45°, Two Hole		PV37376	-		58

### Warranty

One Year Limited Warranty.

See warranty information for more details.

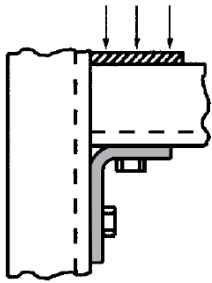
MADE IN CHINA

All dimensions listed are nominal. HD Supply<sup>sm</sup> reserves the right to change or modify products without prior notification and is not responsible for the use of superseded or voided specification sheets.

## Corner Angle: Design Load Data

(For typical channel-fitting connections when USED IN PAIRS, i.e. fitting at each end of beam.)

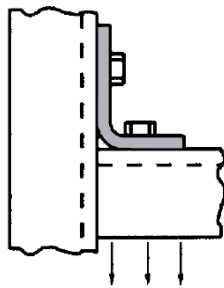
90° Fitting



Channel Thickness

	12 ga. (2.6)	14 ga. (1.9)	16 ga. (1.5)
Lbs.	1500	1000	750
kN	(6.67)	(4.45)	(3.34)

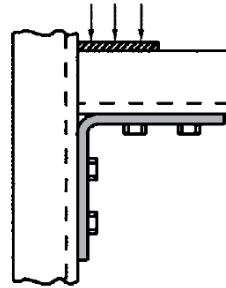
90° Fitting



Channel Thickness

	12 ga. (2.6)	14 ga. (1.9)	16 ga. (1.5)
Lbs.	1000	650	500
kN	(4.45)	(2.89)	(2.22)

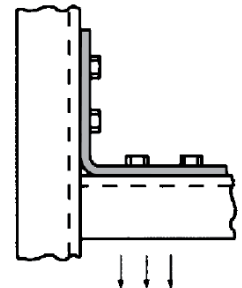
90° Fitting



Channel Thickness

	12 ga. (2.6)	14 ga. (1.9)	16 ga. (1.5)
Lbs.	2500	2000	1500
kN	(11.12)	(8.90)	(6.67)

90° Fitting



Channel Thickness

	12 ga. (2.6)	14 ga. (1.9)	16 ga. (1.5)
Lbs.	2000	1650	1250
kN	(8.90)	(7.34)	(5.56)

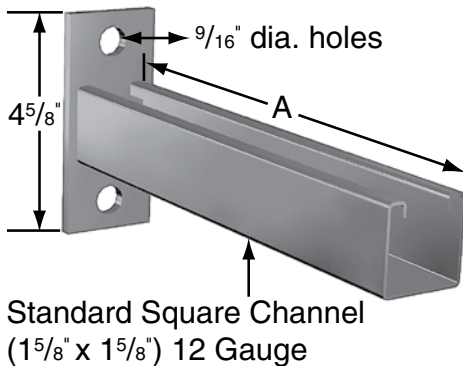
**Design load data includes a safety factor of 2.5  
(safety factor = ratio of ultimate load to design load)**

All dimensions listed are nominal. HD Supply<sup>sm</sup> reserves the right to change or modify products without prior notification and is not responsible for the use of superseded or voided specification sheets.

# Strut Fitting & Accessories

### Product Features

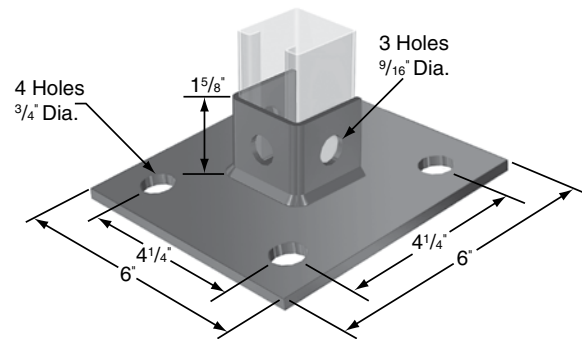
- Type: Single strut bracket - 12" and 18" lengths  
Post base square - one hole and two hole
- Material: Carbon steel
- Finish: Electro-Galvanized
- Strut brackets are designed to support pipe or conduit as a cantilever from below or suspended hanger rod from above.
- Post bases used with 12 or 14 gauge strut ( $1\frac{5}{8}" \times 1\frac{5}{8}"$ )



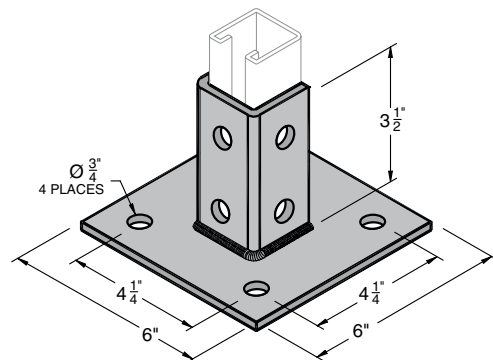
### Single Strut Bracket

A	Uniform Load* (Lbs)	Conc. Load* at End (Lbs)
12"	600	235
18"	400	165

\* Mounted on 12 Ga. Channel



### Post Base Square - One Hole



### Post Base Square - Two Hole

### Strut Fitting and Accessories: Weights (LBS)

Description	✓ To Submit	Part No. Galv.	Weight per 100 pcs
Single Strut Bracket - 12"		PV37382	293
Single Strut Bracket - 18"		PV37383	401
Post Base Square - One Hole		PV37380*	314
Post Base Square - Two Hole		PV37381*	373

### Warranty

One Year Limited Warranty. See warranty information for more details.

**Proudly Made in the U.S.A.**

\*MADE IN CHINA

All dimensions listed are nominal. HD Supply<sup>SM</sup> reserves the right to change or modify products without prior notification and is not responsible for the use of superseded or voided specification sheets.